

# **Book 2**

# **Events**

# Chapter 4

## Competitions

### 4.3. Divisions

#### Version of 2018-01-01

4.3.3. For Field Archery (see **The correct reference will be inserted as soon as possible.**):

For championships:

- Recurve Division;
- Compound Division;
- Barebow Division.

For recreational rounds:

- Longbow Division;
- Instinctive Bow Division.

#### Version of 2018-04-01

4.3.3. For Field Archery (see [Book 4-Field and 3D Archery in Book 4](#)):

For championships:

- Recurve Division;
- Compound Division;
- Barebow Division.

### 4.5. Rounds

#### 4.5.1. Outdoor Archery Rounds

#### Version of 2018-01-01

4.5.1.2. The 1440 Round consists of 36 arrows from each of the following distances shot in this order:

- 60, 50, 40, 30m for Cadet Women and Master Women;
- 70, 60, 50, 30m for Cadet Men, Junior Women, Women and Master Men;
- 90, 70, 50, 30m for Junior Men and Men.

The distances can also be shot in the reverse order (from shorter to longer).

The 122cm target face is used for the 90, 70, 60m (and 50m for Cadet and Master Women) distances and the 80cm face shall be used for the 50 (other than Cadet and Master Women), 40 and 30m distances. The 80cm multiple centre set-up may be used at 30, 40 and 50m.

#### Version of 2018-04-01

4.5.1.2. The Elimination and Final Rounds consist of:

- The Elimination Round, in which the top 104 athletes (mandatory for World Archery Championships) are seeded according to their positions in the Qualifying Round(see [Appendix 3-Match Play Charts](#)). . They shoot a series of matches in groups, each match consisting of the best of five sets of three arrows for recurve and five ends of three arrows for compound.
- The Finals Round, in which the eight athletes remaining from the Elimination round shoot individual matches, each match consisting of the best of five sets of three arrows for recurve and five ends of three arrows for compound, culminating in the gold Medal match. At World Archery Championships the matches shall be shot one after the other. The athletes shall shoot alternately one arrow at a time.
- The Team Elimination Round, in which the top 24 teams (16 in the Olympic Games) of three athletes seeded according to their positions as determined by their total score in the Qualification Round (see [Appendix 3-Match Play Charts, 8. Match Play Chart 5 \(24 teams, byes are permitted\)](#)) shoot simultaneously a series of matches, each match for recurve consisting of the best of four sets of six arrows (two per athlete) and for compound consisting of four ends of six arrows (two per athlete) in cumulative score;

- The Team Finals Round, in which the four teams qualifying from the Elimination Round shoot a series of matches, each match for recurve consisting of the best of four sets of six arrows (two per athlete) and for compound consisting of four ends of six arrows (two per athlete) in cumulative score culminating in the Team Gold Medal match. In the Olympic Games, the Medal matches of the World Archery Championships and Archery World Cup Events, the teams shoot alternately in three arrow segments. For other events alternating shooting is optional. The timing is started and stopped when the athlete crosses the 1m line;
- The Mixed Team Round in which the top 24 teams (16 in the Olympic Games) composed of the top ranked man and the top ranked woman from the same Member Association are seeded according to their positions as determined by their total score in the Qualification Round (see [Appendix 3-Match Play Charts, 8. Match Play Chart 5 \(24 teams, byes are permitted\)](#)), shoot simultaneously a series of matches, each match for recurve consisting of the best of four sets of four arrows (two per athlete) and for compound consisting of four ends of four arrows (two per athlete) in cumulative score;
- The format may be amended to fit special stadiums and locations that are very attractive for archery. It is necessary to notify Member Associations at least one year in advance of the event;
- For Recurve the round will be called the Olympic Round and shall be shot at 70m (60m for Cadets and Masters) on 122cm target faces, whereas for compound it will be called the Compound Match Round and shall be shot at 50m on an 80cm six ring target face.
- A team shall consist of the highest ranked three (or two if a Mixed Team) athletes from the Qualification Round unless the Team Manager notifies the Director of Shooting or the Chairman of Judges in writing at least one hour before the start of that round of competition of a substitution of another athlete who competed in the Qualification Round. A violation of the foregoing will result in disqualification of the team. In case of substitution medals shall only be awarded to the athletes that shot the Team round, not the qualification round.

#### **Version of 2018-01-01**

4.5.1.3. The Double 1440 Round consists of two 1440 Rounds shot consecutively.

#### **Version of 2018-04-01**

4.5.1.3. The 50m Round for Compound consists of 72 arrows on the 80cm target face.

#### **Version of 2018-01-01**

4.5.1.4. The Elimination and Final Rounds consist of:

- The Elimination Round, in which the top 104 athletes (mandatory for World Archery Championships) are seeded according to their positions in the Qualifying Round(see [Appendix 3-Match Play Charts](#)). . They shoot a series of matches in groups, each match consisting of the best of five sets of three arrows for recurve and five ends of three arrows for compound.
- The Finals Round, in which the eight athletes remaining from the Elimination round shoot individual matches, each match consisting of the best of five sets of three arrows for recurve and five ends of three arrows for compound, culminating in the gold Medal match. At World Archery Championships the matches shall be shot one after the other. The athletes shall shoot alternately one arrow at a time.
- The Team Elimination Round, in which the top 16 teams of three athletes seeded according to their positions as determined by their total score in the Qualification Round (see [Appendix 3-Match Play Charts](#)) shoot simultaneously a series of matches, each match for recurve consisting of the best of four sets of six arrows (two per athlete) and for compound consisting of four ends of six arrows (two per athlete) in cumulative score;
- The Team Finals Round, in which the four teams qualifying from the Elimination Round shoot a series of matches, each match for recurve consisting of the best of four sets of six arrows (two per athlete) and for compound consisting of four ends of six arrows (two per athlete) in cumulative score culminating in the Team Gold Medal match. In the Olympic Games, the Medal matches of the World Archery Championships and Archery World Cup Events, the teams shoot alternately in three arrow segments. For other events alternating shooting is optional. The timing is started and stopped when the athlete crosses the 1m line;
- The Mixed Team Round in which the top 16 teams composed of the top ranked man and the top ranked woman from the same Member Association are seeded according to their positions as determined by their total score in the Qualification Round (see [Appendix 3-Match Play Charts](#)), shoot simultaneously a series of matches, each match for recurve consisting of the best of four sets of four arrows (two per

- athlete) and for compound consisting of four ends of four arrows (two per athlete) in cumulative score;
- The format may be amended to fit special stadiums and locations that are very attractive for archery. It is necessary to notify Member Associations at least one year in advance of the event;
  - For Recurve the round will be called the Olympic Round and shall be shot at 70m (60m for Cadets and Masters) on 122cm target faces, whereas for compound it will be called the Compound Match Round and shall be shot at 50m on an 80cm six ring target face.
  - A team shall consist of the highest ranked three (or two if a Mixed Team) athletes from the Qualification Round unless the Team Manager notifies the Director of Shooting or the Chairman of Judges in writing at least one hour before the start of that round of competition of a substitution of another athlete who competed in the Qualification Round. A violation of the foregoing will result in disqualification of the team. In case of substitution medals shall only be awarded to the athletes that shot the Team round, not the qualification round.

---

**Version of 2018-04-01**

4.5.1.4. The 60m Round (for Recurve) for Cadets and Masters consists of 72 arrows shot at 60m on the 122cm target face.

---

**Version of 2018-01-01**

4.5.1.5. The 50m Round for Compound consists of 72 arrows on the 80cm target face.

---

**Version of 2018-04-01**

4.5.1.5. The 70m Round (for Recurve) consists of 72 arrows shot at 70m on the 122cm target face.

---

**Version of 2018-01-01**

4.5.1.6. The 60m Round (for Recurve) for Cadets and Masters consists of 72 arrows shot at 60m on the 122cm target face.

---

**Version of 2018-04-01**

4.5.1.6. The Visually Impaired Round is defined in [21. Chapter 21-Para-Archery in Book 3](#).

---

## ***4.5.2. Indoor Archery Rounds***

---

**Version of 2018-01-01**

4.5.2.2. The 25m Round consists of 60 arrows on the 60cm target face or the 60cm triple face.

---

**Version of 2018-04-01**

4.5.2.2. The Match Round is shot on the 40cm triple face at 18m and consists of:

---

**Version of 2018-01-01**

4.5.2.3. The Combined Round consists of the above two rounds shot in succession over one or two days with either round shot first.

---

**Version of 2018-04-01**

4.5.2.3. Vertical triple faces shall be mandatory for the World Archery Indoor Championships.

---

**Version of 2018-01-01**

4.5.2.4. The Match Round is shot on the 40cm triple face at 18m and consists of:

---

**Version of 2018-04-01**

4.5.2.4. The Visually Impaired Round is defined in [21.12. Visually Impaired Athletes in Book 3](#).

---

### 4.5.3. Field Archery Rounds

#### Version of 2018-01-01

- 4.5.3.1. The Field Round consists of 12, 16, 20 or 24 targets. Three arrows are shot per target. These targets shall be laid out in a course considering the challenges in aiming and shooting as the tradition of the discipline requires. The distances for target butts are set out in **The correct reference will be inserted as soon as possible.**, **The correct reference will be inserted as soon as possible.** and **The correct reference will be inserted as soon as possible.** The course may be all marked or all unmarked or a combination of marked and unmarked distances. There may be any number of walk-ups or fan targets.

#### Version of 2018-04-01

- 4.5.3.1. The Field Round consists of 24 targets. Three arrows are shot per target. These targets shall be laid out in a course considering the challenges in aiming and shooting as the tradition of the discipline requires. The distances for target butts are set out in [8.1.1.9. Unit for Unmarked Course](#) and [8.1.1.10. Unit for Marked Course](#). The course may be all marked or all unmarked or a combination of marked and unmarked distances. There may be any number of walk-ups or fan targets.

#### Version of 2018-01-01

- 4.5.3.2. The Arrowhead Round consists of 24, 28, 32, 36, 40, 44 or 48 targets which is two complete Field Rounds. The distances are set out in **The correct reference will be inserted as soon as possible.**, **The correct reference will be inserted as soon as possible.** and **The correct reference will be inserted as soon as possible.** The rounds may be shot on marked, unmarked or any combination of marked and unmarked targets.

#### Version of 2018-04-01

- 4.5.3.2. The Arrowhead Round consists of 24 or 48 targets which is two complete Field Rounds. The distances are set out in [8.1.1.9. Unit for Unmarked Course](#) and [8.1.1.10. Unit for Marked Course](#). The rounds may be shot on marked, unmarked or any combination of marked and unmarked targets.

#### Version of 2018-01-01

- 4.5.3.3. The Forest Round consists of 12, 16, 20 or 24 targets, with up to three arrows per target. The round is normally shot on unmarked targets but may be shot on marked targets provided the distances are within the limits set forth in [Article 32.3.3.2. in.](#)

#### Version of 2018-04-01

- 4.5.3.3. The World Archery Field Championship Round in which there are no walk-up or fan targets, consists of:

#### Version of 2018-01-01

- 4.5.3.4. The World Archery Field Championship Round in which there are no walk-up or fan targets, consists of:

#### Version of 2018-04-01

- 4.5.3.4. Finals Round

#### Version of 2018-01-01

- 4.5.3.4.1. The Qualification Round, two Field Rounds each of 24 targets, one unmarked course to be shot on the first day of competition and one marked (long course) to be shot on the second day of competition;

#### Version of 2018-04-01

- 4.5.3.4.1. In the Finals Round each class and division shall form a group that shall start in this order:
- Barebow Women;
  - Barebow Men;
  - Recurve Women;
  - Recurve Men;

- Compound Women;
  - Compound Men.
- 

#### **Version of 2018-01-01**

4.5.3.4.2. The Elimination Rounds, the first Elimination Round, in which the top 16 athletes in each category shoot 12 marked targets, three arrows per target. In the second Elimination Round the top eight athletes shall shoot eight marked targets, three arrows per target. If there are fewer than 17 or nine athletes, all shall be admitted to the respective Elimination Round;

#### **Version of 2018-04-01**

4.5.3.4.2. The organisers decide whether the Finals Round are shot as one continuous round or whether there shall be a break between the semi-finals and the medal finals. The reorganisation of the groups shall take place after the fourth target. In case of a tie in the semi-finals, the tie should be decided on the fourth target before the reorganisation of the groups takes place. The organisers may allow the different categories to shoot on separate courses to speed up the competition.

---

# Chapter 5

## Titles and Records

### 5.3. World Records

5.3.1. There shall be World Records

#### Version of 2018-01-01

5.3.1.1. *for Outdoor Archery for Cadet Women, Cadet Men, Junior Women, Junior Men, Women, Men, Master Women and Master Men in the Recurve and Compound Divisions as applicable:*

- 1440 Round;
- 90m (36 arrows);
- 70m (36 arrows);
- 60m (36 arrows);
- 50m for Cadet Women and Master Women (122cm face);
- 50m (36 arrows on a 80cm face);
- 40m for Cadet Women and Master Women;
- 30m (36 arrows).

*World Records for the above distances may only be shot as part of the 1440 Round.*

- 70m Round (72 arrows);
- 60m Round for Cadets and Masters (72 arrows);
- Team 1440 Round (3 X 144 arrows);
- Team 70m Round (3 X 72 arrows);
- Team 60m Round for Cadets (3 X 72 arrows);
- Compound 50m Round (72 arrows);
- Compound 50m Team Round (3x72 arrows);
- Individual Compound Match Round (15 arrows);
- Compound Team Match Round (24 arrows);
- Compound Mixed Team Round (16 arrows).

#### Version of 2018-04-01

5.3.1.1. *for Outdoor Archery for Cadet Women, Cadet Men, Junior Women, Junior Men, Women, Men, Master Women and Master Men in the Recurve and Compound Divisions as applicable:*

- 1440 Round;
- 90m (36 arrows);
- 70m (36 arrows);
- 60m (36 arrows);
- 50m for Cadet Women and Master Women (122cm face);
- 50m (36 arrows on a 80cm face);
- 40m for Cadet Women and Master Women;
- 30m (36 arrows).

*World Records for the above distances may only be shot as part of the 1440 Round.*

- 70m Round (72 arrows);
- Double 70m Round (144 arrows);
- 60m Round for Cadets and Masters (72 arrows);
- Double 60m Round for Cadets and Masters (144 arrows);
- Team 1440 Round (3 X 144 arrows);
- Team 70m Round (3 X 72 arrows);
- Team 60m Round for Cadets (3 X 72 arrows);
- Compound 50m Round (72 arrows);
- Compound Double 50m Round (144 arrows);
- Compound 50m Team Round (3x72 arrows);
- Individual Compound Match Round (15 arrows);
- Compound Team Match Round (24 arrows);
- Compound Mixed Team Round (16 arrows).

# Chapter 6

## Medals, Trophies and Performance Awards

### 6.3. Performance Awards

6.3.4. For the Arrowhead Round there shall be World Archery Arrowhead Badges:

#### Version of 2018-01-01

6.3.4.1. *These badges shall be awarded for the Recurve Division as follows:*

WORLD ARCHERY ARROWHEAD BADGES- Recurve														
24 targets		28 targets		32 targets		36 targets		40 targets		44 targets		48 targets		
men	women	men	women	men	women	men	women	men	women	men	women	men	women	
Green	219	196	256	229	292	261	329	294	365	327	402	359	438	392
Brown	244	227	285	265	325	303	366	341	407	378	447	416	488	454
Grey	265	249	309	291	353	332	398	374	442	415	486	457	530	498
Black	291	279	340	326	388	372	437	419	485	465	534	512	582	558
White	313	302	365	352	417	403	470	453	522	503	574	554	626	604
Silver	338	323	394	377	451	431	507	485	563	538	620	592	676	646
Gold	350	339	408	396	467	452	525	509	583	565	642	622	700	678

#### Version of 2018-04-01

6.3.4.1. *These badges shall be awarded for the Recurve Division as follows:*

WORLD ARCHERY ARROWHEAD BADGES Recurve				
24 targets		48 targets		
men	women	men	women	men
Green	219	196	438	392
Brown	244	227	488	454
Grey	265	249	530	498
Black	291	279	582	558
White	313	302	626	604
Silver	338	323	676	646
Gold	350	339	700	678

#### Version of 2018-01-01

6.3.4.2. *These badges shall be awarded for the Barebow Division as follows:*

WORLD ARCHERY ARROWHEAD BADGES – Barebow														
24 targets		28 targets		32 targets		36 targets		40 targets		44 targets		48 targets		
men	women	men	women	men	women	men	women	men	women	men	women	men	women	
Green	191	182	223	212	255	243	287	273	318	303	350	334	382	364
Brown	230	198	268	231	307	264	345	297	383	330	422	363	460	396
Grey	250	226	292	264	333	301	375	339	417	377	458	414	500	452
Black	273	250	319	292	364	333	410	375	455	417	501	458	546	500
White	294	275	343	321	392	367	441	413	490	458	539	504	588	550
Silver	316	299	369	349	421	399	474	449	527	498	579	548	632	598
Gold	335	312	391	364	447	416	503	468	558	520	614	572	670	624

#### Version of 2018-04-01

6.3.4.2. *These badges shall be awarded for the Barebow Division as follows:*

WORLD ARCHERY ARROWHEAD BADGES Barebow				
24 targets		48 targets		
men	women	men	women	men
Green	191	182	382	364
Brown	230	198	460	396
Grey	250	226	500	452
Black	273	250	546	500
White	294	275	588	550



Silver	316	299	632	598
Gold	335	312	670	624

### Version of 2018-01-01

6.3.4.3. *These badges shall be awarded for the Compound Division as follows:*

	WORLD ARCHERY ARROWHEAD BADGES – Compound													
	24 targets		28 targets		32 targets		36 targets		40 targets		44 targets		48 targets	
	men	women	men	women	men	women	men	women	men	women	men	women	men	women
Green	292	275	341	321	389	367	438	413	487	458	535	504	584	550
Brown	313	301	365	351	417	401	470	452	522	502	574	552	626	602
Grey	331	318	386	371	441	424	497	477	552	530	607	583	662	636
Black	351	338	410	394	468	451	527	507	585	563	644	620	702	676
White	371	357	433	417	495	476	557	536	618	595	680	655	742	714
Silver	389	377	454	440	519	503	584	566	648	628	713	691	778	754
Gold	399	388	466	453	532	517	599	582	665	647	732	711	798	776

### Version of 2018-04-01

6.3.4.3. *These badges shall be awarded for the Compound Division as follows:*

	WORLD ARCHERY ARROWHEAD BADGES Compound			
	24 targets		48 targets	
	men	women	men	women
Green	292	275	584	550
Brown	313	301	626	602
Grey	331	318	662	636
Black	351	338	702	676
White	371	357	742	714
Silver	389	377	778	754
Gold	399	388	798	776

# Chapter 8

## Field of Play setup - Field Archery

### 8.1. Course Layout

8.1.1. The field course shall be arranged so that the shooting positions and the targets can be reached without undue difficulty, hazard or waste of time. Field courses should be as condensed as possible.

#### Version of 2018-01-01

8.1.1.4. The targets as described in **The correct reference will be inserted as soon as possible.** shall be laid out in such order as to allow maximum variety and best use of the terrain. In the Finals Round two butts shall be placed side by side at each target on which a 60cm or 80cm target face is placed.

#### Version of 2018-04-01

8.1.1.4. The targets shall be laid out in such order as to allow maximum variety and best use of the terrain. In the Finals Round two butts shall be placed side by side at each target on which a 60cm or 80cm target face is placed.

#### Version of 2018-01-01

8.1.1.7. The tolerances are:

- For distances 15m or less  $\pm 25\text{cm}$ ;
- For distances between 15-60m  $\pm 1\text{m}$ .

However, the distances given in **The correct reference will be inserted as soon as possible.**, **The correct reference will be inserted as soon as possible.** and **The correct reference will be inserted as soon as possible.** may be adjusted by  $\pm 2\text{m}$ . The correct distance shall be marked on the shooting peg.

The distance should be measured in the air approximately 1.5-2m above the ground. All kinds of measuring equipment can be used as long as it satisfies the tolerances.

#### Version of 2018-04-01

8.1.1.7. The tolerances are:

- For distances 15m or less  $\pm 25\text{cm}$ ;
- For distances between 16-60m  $\pm 1\text{m}$ .

However, the distances given in [8.1.1.10. Unit for Marked Course](#) may be adjusted by  $\pm 2\text{m}$ . The correct distance shall be marked on the shooting peg.

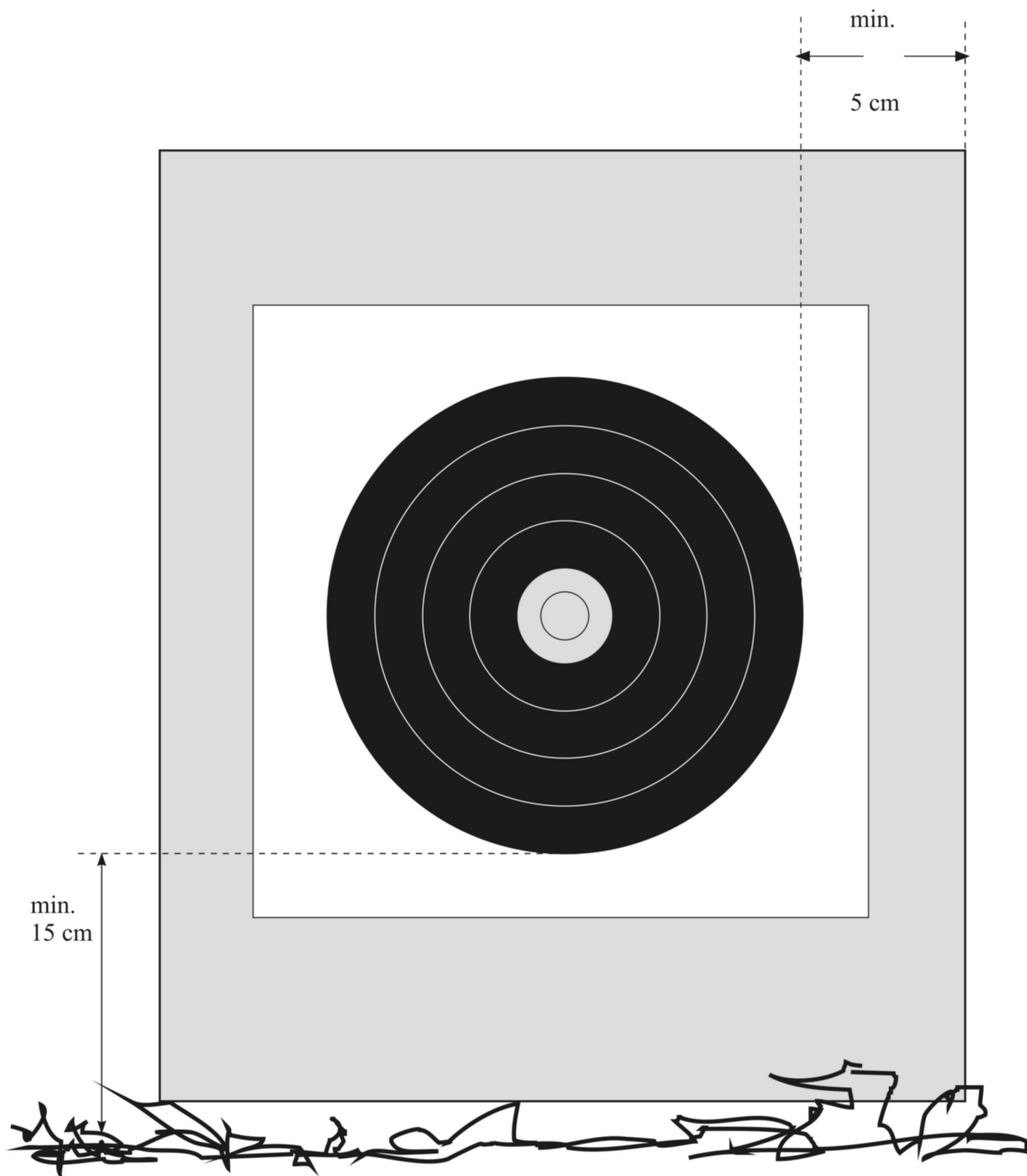
The distance should be measured in the air approximately 1.5-2m above the ground. All kinds of measuring equipment can be used as long as it satisfies the tolerances.

#### Version of 2018-01-01

8.1.1.8. The butts shall provide a margin to allow all scoring arrows to be in the butt. At no point may any target face be less than 15cm from the ground. In all instances, regardless of the terrain, the buttress should be placed reasonably perpendicular to the athlete's line of sight from the shooting peg in order to present the target face's full picture (for example (see image 1: 80 and 60cm Target Face for Field)).

#### Version of 2018-04-01

8.1.1.8. The butts shall provide a margin to allow all scoring arrows to be in the butt. At no point may any target face be less than 15cm from the ground. In all instances, regardless of the terrain, the buttress should be placed perpendicular to the athlete's line of sight from the shooting peg in order to present the target face's full picture.



**Image 1:** 80 and 60cm Target Face for Field

**Version of 2018-01-01**

8.1.1.9. All targets shall be numbered in succession. The numbers shall be no less than 20cm tall and shall be black on yellow or yellow on black and shall be placed 5-10m before reaching the shooting pegs for that target.

**Version of 2018-04-01**

**8.1.1.9. Unit for Unmarked Course**

Number of targets 12 targets in a unit Min- Max #	Diameter of Field Faces in cm	Yellow Peg Barebow Cadet Longbow*	Blue Peg Recurve Cadet Compound Cadet Barebow Instinctive Bow (in metres)	Red Peg Recurve and Compound (in metres)
2-4	20	5 to 10	5 to 10	10 to 15
2-4	40	10 to 15	10 to 20	15 to 25
2-4	60	15 to 25	15 to 30	20 to 35
2-4	80	20 to 35	30 to 45	35 to 55

### Version of 2018-01-01

8.1.1.10. The target numbers shall also function as the waiting area for the athletes of the group(s) waiting for their turn to shoot. The other members of the group shooting can be forward of the number board to assist with shading as necessary. From the waiting area it should be possible to see if anybody is standing at the peg.

### Version of 2018-04-01

#### 8.1.1.10. Unit for Marked Course

Number of targets 12 targets in a unit Min- Max #	Diameter of Field Faces in cm	Yellow Peg Barebow Cadet Longbow*	Blue Peg Recurve Cadet Compound Cadet Barebow Instinctive Bow (in metres)	Red Peg Recurve and Compound (in metres)
3	20	5, 10, 15	5, 10, 15	10, 15, 20
3	40	10, 15, 20	15, 20, 25	20, 25, 30
3	60	20, 25, 30	30, 35, 40	35, 40, 45
3	80	30, 35, 40	40, 45, 50	50, 55, 60

### Version of 2018-01-01

8.1.1.11. Faces shall not be placed over any larger face, nor shall there be any marks on the butts or in the foreground that could be used as points of aim.

### Version of 2018-04-01

#### 8.1.1.11. Elimination Rounds

The Elimination Round consists of 6 marked targets per match. Each set of 6 targets will have a mix of all face sizes (20/40/60/80) and all distances will be pegged (short/medium/long). Organisers will lay the course with consideration to the venue, the terrain and the lay of the land.

### Version of 2018-01-01

8.1.1.12. Clearly visible direction signs indicating the route from target to target shall be placed at adequate intervals to ensure safe and easy movement along the course.

### Version of 2018-04-01

#### 8.1.1.12. Finals Rounds (and Team quarter-finals)

The semi final and final consist of four marked targets in each match with marked distances. During the finals the targets can be placed at the organiser wishes taking into consideration the terrain, lay of the ground and venue. All target faces (20/40/60/80) must be used and there should be a mix of short, medium and long distances.

### Version of 2018-01-01

8.1.1.13. Suitable barriers shall be placed around the course, wherever necessary, to keep spectators at a safe distance while still giving them the best possible view of the competition. Only those persons having the proper accreditation shall be allowed on the course inside of the barriers.

### Version of 2018-04-01

8.1.1.13. All targets shall be numbered in succession from 1 to 24. The numbers shall be clearly visible to archers and clearly identify the target number. They shall be placed 5-10m before reaching the shooting pegs for that target.

### Version of 2018-01-01

- 8.1.1.14. The assembly area should contain:
- A communication system allowing contact with the chairperson of the Tournament Judge Commission and the organisers;
  - Adequate shelter for team officials;
  - Separate shelter for the Jury of Appeal and the chairperson of the Judge Commission;
  - Guarded shelter for the athletes gear and spare equipment;
  - Practice targets on the competition days near the assembly point(s) for the athletes;

- Refreshment facilities;
- Toilets.

#### Version of 2018-04-01

8.1.1.14. *The target numbers shall also function as the waiting area for the groups waiting for their turn to shoot. The members of the group shooting that target can be forward of the number board to assist with shading and spotting as necessary. From the waiting area it should be possible to see if anybody is standing at the peg.*

#### Version of 2018-01-01

8.1.1.15. *The course(s) shall be completed and ready for inspection no later than 16 hours before the shooting starts. At World Championships they shall be ready along with details of any modifications to those courses for use as Elimination or Final Rounds, no later than the morning of two days before the shooting starts.*

#### Version of 2018-04-01

8.1.1.15. *Clearly visible direction signs indicating the route from target to target shall be placed at adequate intervals to ensure safe and easy movement along the course.*

## 8.2. Venue Equipment and Scoring Zones

### 8.2.1. The Field Face.

There are four field target faces :

- The 80cm face;
- The 60cm face;
- The 40cm face;
- The 20cm face.

Only those faces produced by a manufacturer licensed by World Archery shall be used at World Archery competitions.

#### Version of 2018-01-01

##### 8.2.1.1. Description.

*The face consists of a yellow centre spot and four equal scoring zones.*

*The background of the face shall be white. The yellow zone is divided into two scoring zones.*

*The inner ring is scored as 6 and the outer yellow zone as 5.*

*The two zones shall be divided by a black line of maximum 1mm in width. The rest of the face shall be black. The four scoring zones shall be divided by white lines of maximum 1mm in width.*

*Any dividing lines shall be in the higher scoring zones. The centre of the target face shall be indicated by a small "+" (cross). The lines of the cross shall not exceed 1mm in width and 4mm in length.*

*Drawing of the Field face see (see image 2: 1-6 Scoring Zones Target Face for Field).*

#### Version of 2018-04-01

##### 8.2.1.1. Description.

*The face consists of a yellow centre spot and four equal scoring zones.*

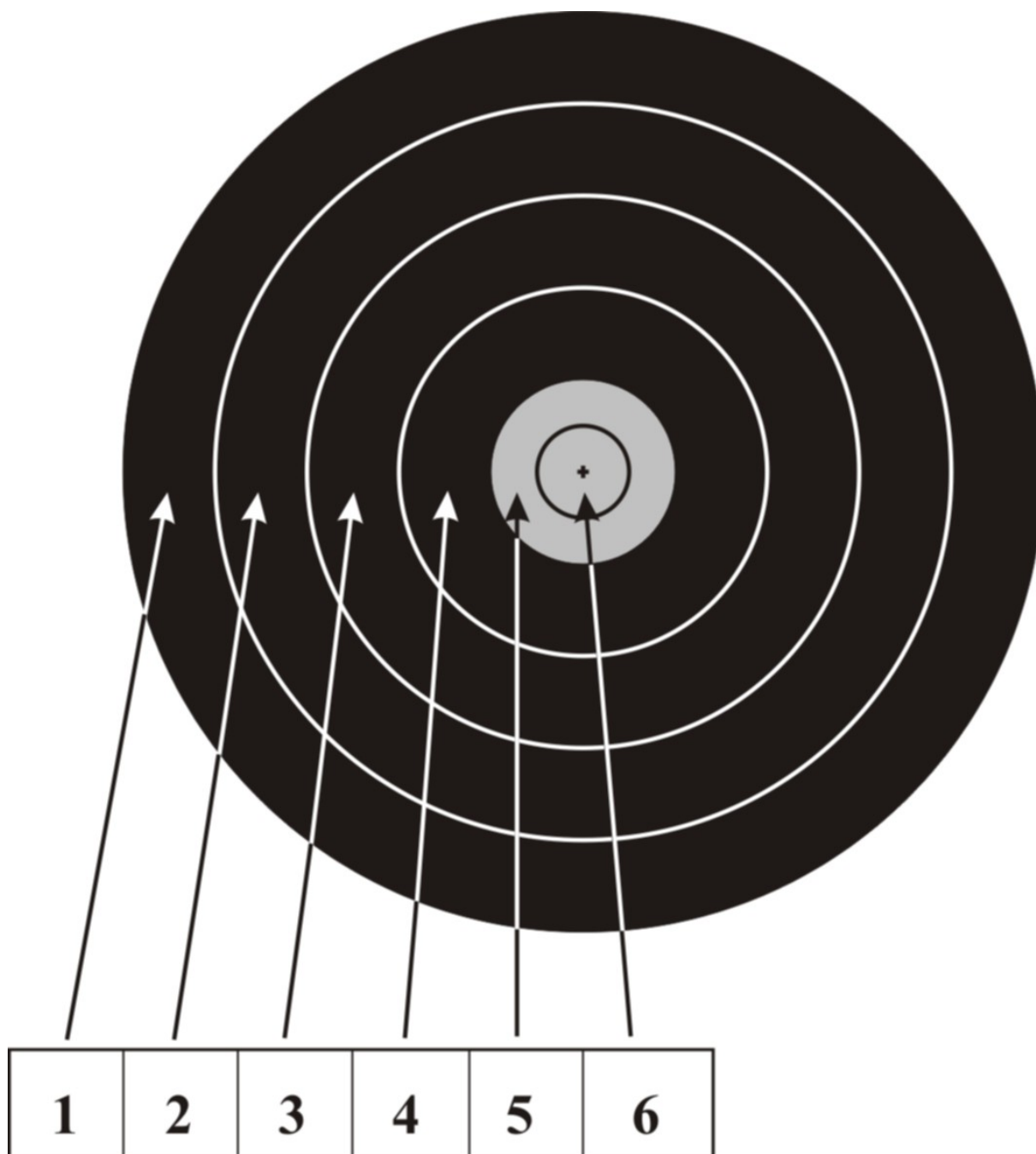
*The yellow zone is divided into two scoring zones.*

*The inner ring is scored as 6 and the outer yellow zone as 5.*

*The two zones shall be divided by a black line of maximum 1mm in width. The rest of the face shall be black. The four scoring zones shall be divided by white lines of maximum 1mm in width. There are no dividing lines between yellow and black.*

*Any dividing lines shall be in the higher scoring zones. The centre of the target face shall be indicated by a small "+" (cross). The lines of the cross shall not exceed 1mm in width and 4mm in length.*

*Drawing of the Field face see (see image 2: 1-6 Scoring Zones Target Face for Field).*



**Image 2: 1-6 Scoring Zones Target Face for Field**

**Version of 2018-01-01**

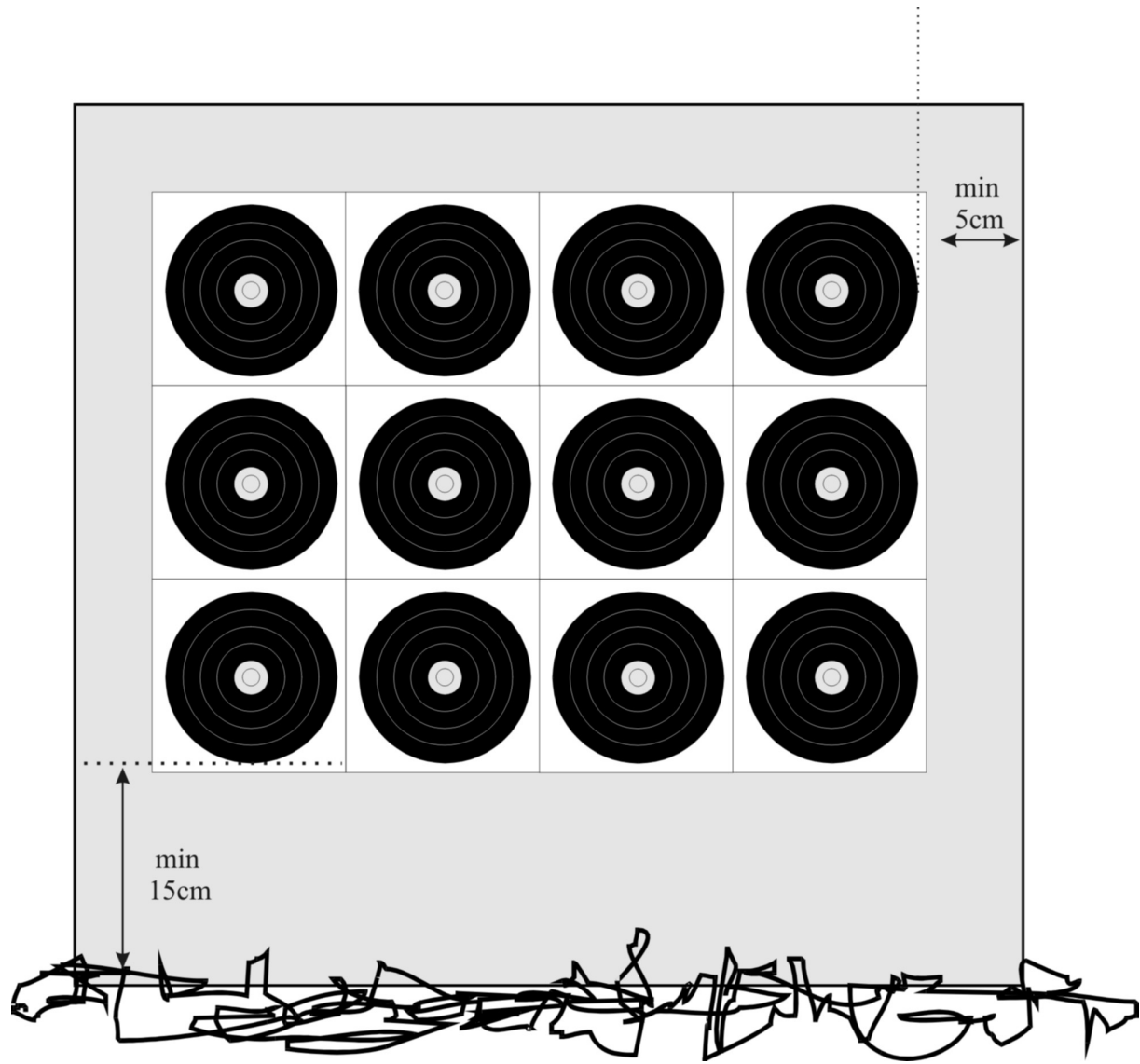
8.2.1.3. *Target set-up.*

- 40cm faces shall be placed four per butt in the form of a square;
- 20cm faces shall be 12 per butt in four columns of three (see (see image 3: 4 x 3 Triple Target Face for Field));
- 60cm faces: On marked rounds a double 60cm target face setup is recommended and their centres shall form a horizontal line.
- The 20cm and 40cm faces may be placed at any angle provided is still obvious which face or column the athlete is to shoot.

**Version of 2018-04-01**

8.2.1.3. *Target set-up.*

- The 20cm and 40cm faces may be placed at any angle provided is still obvious which face or column the athlete is to shoot;
- 20cm faces shall be 12 per butt in four columns of three;
- 40cm faces shall be placed four per butt;
- 60cm faces: On marked rounds a double 60cm target face setup is recommended and their centres should be positioned so that both archers have an equal shot.



*Image 3: 4 x 3 Triple Target Face for Field*

# Chapter 9

## Field of Play setup - 3D Archery

### 9.1. Course layout

9.1.1. The courses shall be arranged in such a way that the shooting positions and the targets can be reached without undue difficulty, hazard or waste of time. 3D courses shall be as condensed as possible.

#### Version of 2018-01-01

9.1.1.5. For small animals (group size "4"), the organisers shall place two animal targets next to each other. The left placed athlete to shoot on that target shoots on the left target, the right placed athlete on the right target.

- For all other animal groups 1,2,3, the organiser may wish to add an extra animal target.

#### Version of 2018-04-01

9.1.1.5. For small targets, the organisers shall place two or four targets next to each other.

#### Version of 2018-01-01

9.1.1.6. The animal targets shall be placed in a way as to present the full target to all athletes.

#### Version of 2018-04-01

9.1.1.6. The targets shall be placed in a way as to present the full target to all athletes.

9.1.1.7. Shooting distances - unknown distances only:

#### Version of 2018-01-01

9.1.1.7.3. The 3D targets can be divided into 4 groups based on the size of the 11/10-ring.

	Group 1	Group 2	Group 3	Group 4
11/10-size	?130mm	110-129 mm	70-109 mm	20-69 mm
Red	Targets from all Groups to be placed between 10-45 meters.			
Blue	Targets from all Groups to be placed between 5-30 meters.			

4-8 targets from each of the above mentioned sized 11/10 3D targets are to be used in each course.

#### Version of 2018-04-01

9.1.1.7.3. The 3D targets come in a range of sizes. The course must incorporate a range of target sizes placed at distances appropriate to their size.

#### Version of 2018-01-01

9.1.1.8. All targets shall be numbered in succession. The numbers shall be no less than 20cm tall and shall be black on yellow or yellow on black and shall be placed between 5-10m before the post with the picture of the animal target.

#### Version of 2018-04-01

9.1.1.8. All targets shall be numbered in succession from 1 to 24. The numbers shall be clearly visible to archers and clearly identify the target number. They shall be placed 5-10m before reaching the shooting pegs for that target.

#### Version of 2018-01-01

9.1.1.8.1. The target numbers shall also function as the primary waiting area for the athletes of the following group(s) waiting for their turn to shoot. From the waiting area it shall be possible to see if anybody is standing at the shooting peg.

#### Version of 2018-04-01

9.1.1.8.1. The target numbers shall also function as the waiting area for the groups waiting for their turn to shoot. The members of the group shooting that target can be forward of the number board to assist with shading and spotting as necessary. From the waiting area it should be possible to see if anybody is standing at the



---

**Version of 2018-01-01**

9.1.1.9. *When the shooting peg is free, the group can go forward to the post with the picture of the animal target – as the secondary waiting area until the target is free.*

**Version of 2018-04-01**

9.1.1.9. *When the shooting peg is free, the group can go forward to the post with the picture of the target – as the secondary waiting area until the target is free.*

---

## 9.2. Venue Equipment and Scoring Zones

---

**Version of 2018-01-01**

9.2.1. *The 3D Animal Targets.*

*The courses are unmarked only. 3D Animal Targets are used. The targets are three dimensional using a wide variety of animal forms of varying sizes. The number of animals used, their respective size and the size of the scoring zones are not standardised. The dividing lines of the scoring zones are within the higher scoring area. The body colour of the animals varies according to the animal chosen.*

**Version of 2018-04-01**

9.2.1. *The 3D Targets.*

*The courses are unmarked only. 3D Targets are used. The targets are three dimensional using a wide variety of forms of varying sizes. The number of targets used, their respective size and the size of the scoring zones are not standardised. The dividing lines of the scoring zones are within the higher scoring area. The colour of the targets varies according to the target chosen.*

---

---

**Version of 2018-01-01**

9.2.2. *Scoring zones.*

*An animal target is divided into four scoring zones (11, 10, 8 and 5).  
An arrow touching the dividing line between two scoring zones or the border line of the scoring area shall score the higher value.*

- 11 points the small circle in the centre of the 10-ring (about 25% of the 10-ring zone);*
- 10 points the larger circle within the vital area;*
- Eight points vital area outside the 10 point circle;*
- Five points remaining body colour zone;*
- A hit in the horn or the hoof, not touching the body colour zone, a glance-off or any other miss counts as a miss (M). A hit in the tail or wings of a bird target is a scoring arrow. An arrow passing through the horn or hoof but touching a scoring zone, will score the value where it touches the scoring zone. An arrow passing through the horn or hoof but not touching a scoring zone will score a miss (M).*

**Version of 2018-04-01**

9.2.2. *Scoring zones.*

*The target is divided into four scoring zones (11, 10, 8 and 5).  
An arrow touching the dividing line between two scoring zones or the border line of the scoring area shall score the higher value.*

- 11 points the small circle in the centre of the 10-ring (about 25% of the 10-ring zone);*
- 10 points the larger circle within the vital area;*
- Eight points vital area outside the 10 point circle;*
- Five points remaining body colour zone;*
- A hit in the horn or the hoof, or other defined non scoring area, not touching the body colour zone, a glance-off or any other miss counts as a miss (M). A hit in the tail or wings of a bird target is a scoring arrow. An arrow passing through the horn or hoof or other defined non scoring area, but touching a scoring zone, will score the value where it touches the scoring zone. An arrow passing through the horn or hoof or other defined non scoring area, but not touching a scoring zone will score a miss (M).*

---

---

**Version of 2018-01-01**

9.2.3. *Animal pictures.*

*About 5-10m from the shooting peg, a post is placed showing the animal picture of that target including the lines and the position of the respective scoring zones.*

---

9.2.3. *Target pictures.*

*About 5-10m from the shooting peg, a post is placed showing the target picture of that target including the lines and the position of the respective scoring zones.*

---

# Appendix 1

## World Ranking Tournaments

### *Minimum Standard Criteria*

---

**Version of 2018-01-01**

- 1.6. *The results shall be submitted in the World Archery required format and have been supervised by an official at the tournament. The results shall be sent to the World Archery Office no later than one week after the tournament in electronic format.*

---

**Version of 2018-04-01**

- 1.6. *The results shall be live (through World Archery Website or other website in agreement with World Archery. Live being as soon as the results are entered in an electronic system) from the Qualification Round onwards and include each individual arrow value in the World Archery required format (Olympic Data Feed or World Archery result system) and have been supervised by an official (results verifier or chairman of judges) at the tournament. The results shall be sent to the World Archery Office no later than 2 days after the tournament in electronic format.*

---

**Version of 2018-01-01**

---

**Version of 2018-04-01**

- 1.7. *For the Finals round scoring will be done by an automated scoring system approved (Falco Eye or similar) by World Archery. The use of this is mandatory for all events that are Olympic Qualifiers at Multisport Games as well as Youth Olympic Games and Paralympics.*
-